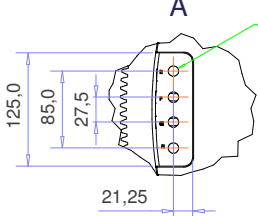
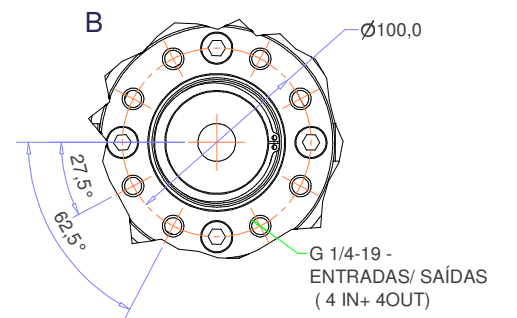
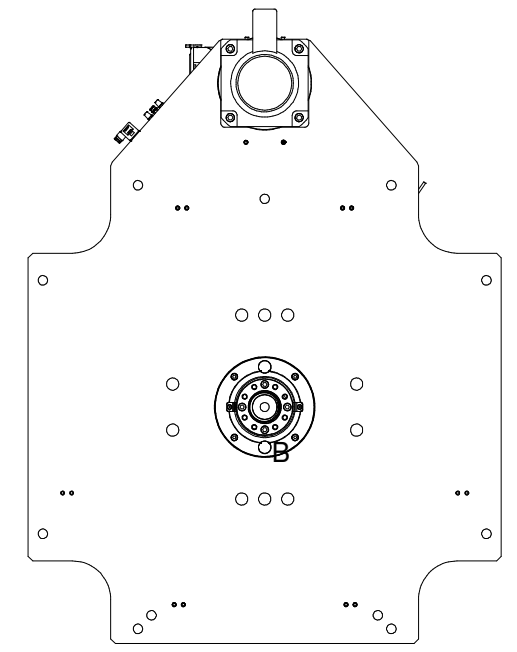
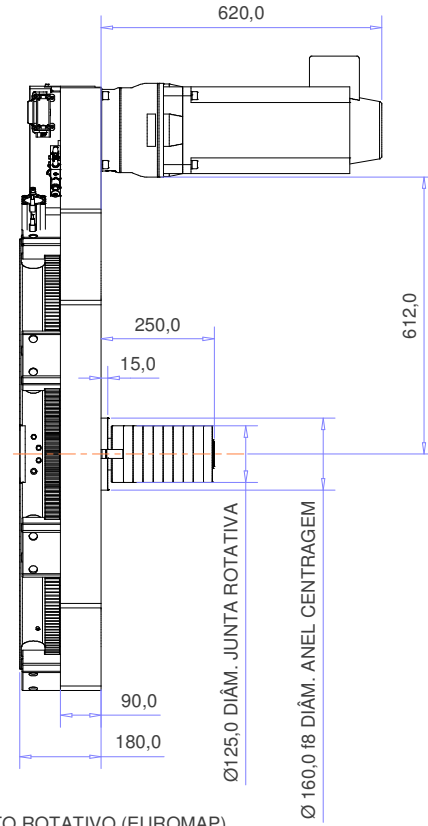
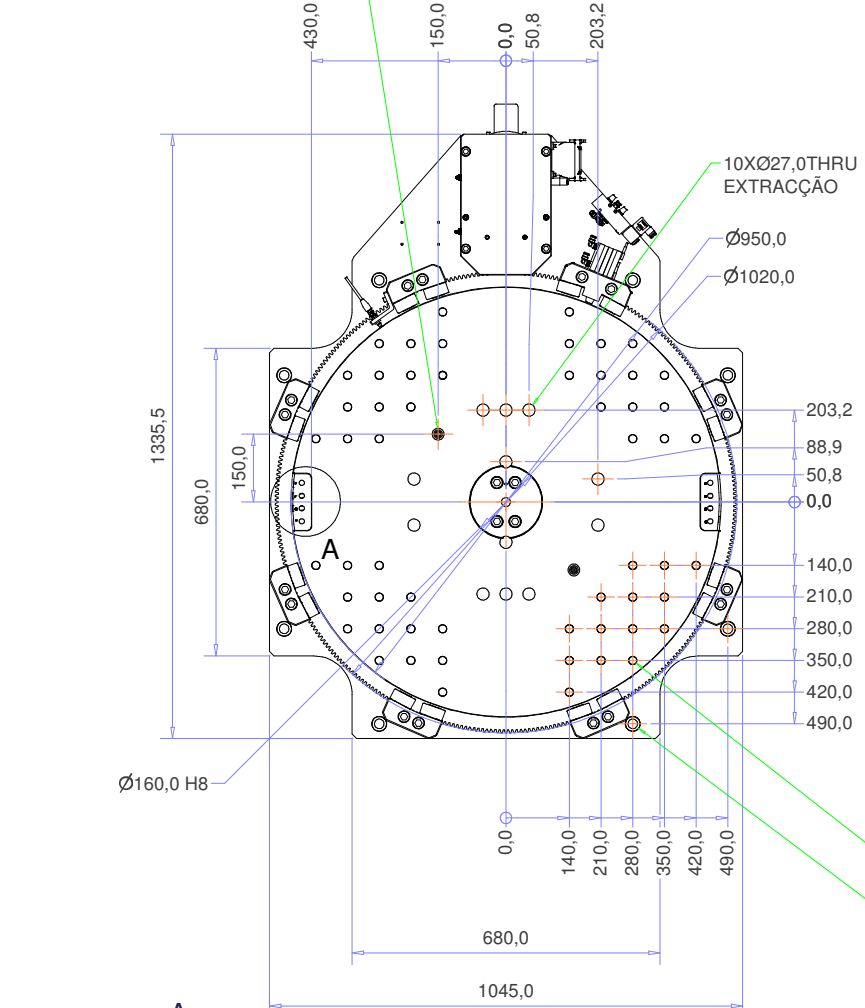


PR 950

2X INTERLOCK'S DE CENTRAGEM DO MOLDE
REF: HASCO Z05-2602-E



10XØ27,0 THRU EXTRACÇÃO

Ø950,0

Ø1020,0

203,2

88,9

50,8

0,0

140,0

210,0

280,0

350,0

420,0

490,0

0,0

140,0

210,0

280,0

350,0

420,0

490,0

680,0

1045,0

Ø160,0 H8

56X M20x2.5 - 6H V45,0
FIXAÇÃO MOLDE/PRATO ROTATIVO (EUROMAP)

8X Ø21,0 THRU
└─┬─┘ Ø32,0 V 21,0
FIXAÇÃO PRATO ROTATIVO/ NB V480 (EUROMAP)

Ø125,0 DIÂM. JUNTA ROTATIVA

Ø160,0 18 DIÂM. ANEL CENTRAGEM

Ø100,0

G 1/4-19 -
ENTRADAS/ SAÍDAS
(4 IN+ 4OUT)

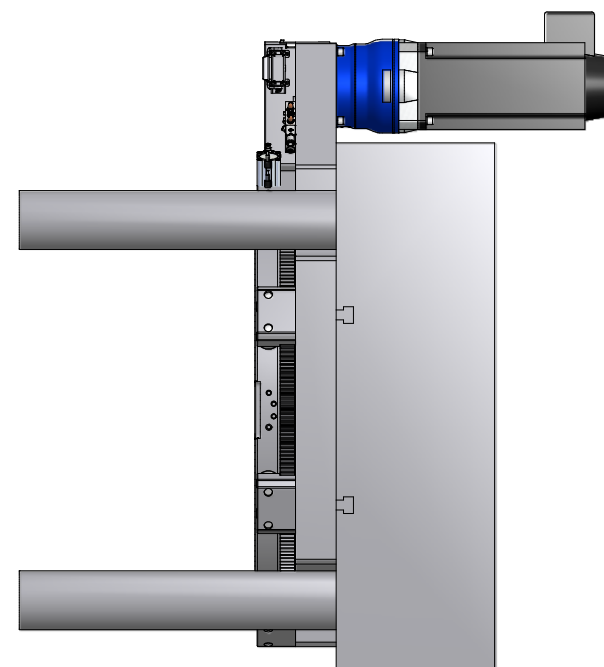
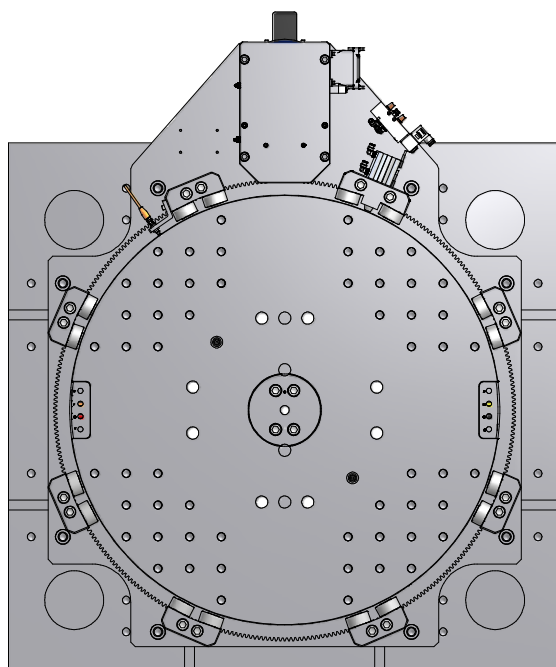
27,5°

62,5°



Plasdan		TITLE	MATERIAL	TOLERANCE	STOCK NUMBER
DRN R NOBRE 22 08 08	CHCK P CORTEZ 22 08 08	PART NUMBER PR.950.951	SCALE N.A.	0.....±0.5 0.0.....±0.1 0.00.....±0.05	
		REVISION			
		USED ON			Qty

PR 950



Plasdan		TITLE	MATERIAL	TOLERANCE 0.-----±0.5 0.0-----±0.1 0.00-----±0.05	STOCK NUMBER
DRN R NOBRE	CHCK	PART NUMBER PR.950.951	SCALE N.A.	REVISION	
					USED ON
					Qty